



RF Components

IF-Band Isolator

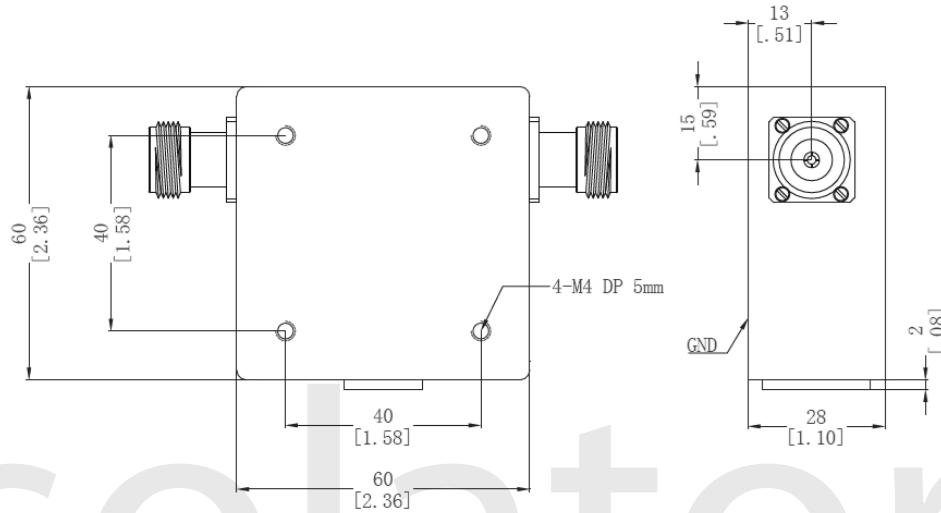
170-180 MHz

Model Number:
ISO01FXP-7516

Available with RF connector s:

- 50 Ω N-type

Physical Dimensions (±0.3mm)



Isolator

Specification	
Connector Type	50 Ohm N-Type Female
Frequency Range	170-180 MHz
Insertion Loss (dB)	≤ 0.5
Isolation (dB)	≥ 20
VSWR	≤ 1.25:1
Power Rating	5W / AV : 100W / FW : 50W RV
Direction	Clockwise

Environmental	
Operating Temperature	-30°C to +70°C
Location	Indoor use Only
Humidity	Max 85% non-condensing
Altitude	Max 10,000 feet

Broadcast



Marine Oil & Gas



SNG & VSAT



Satellite Teleport

